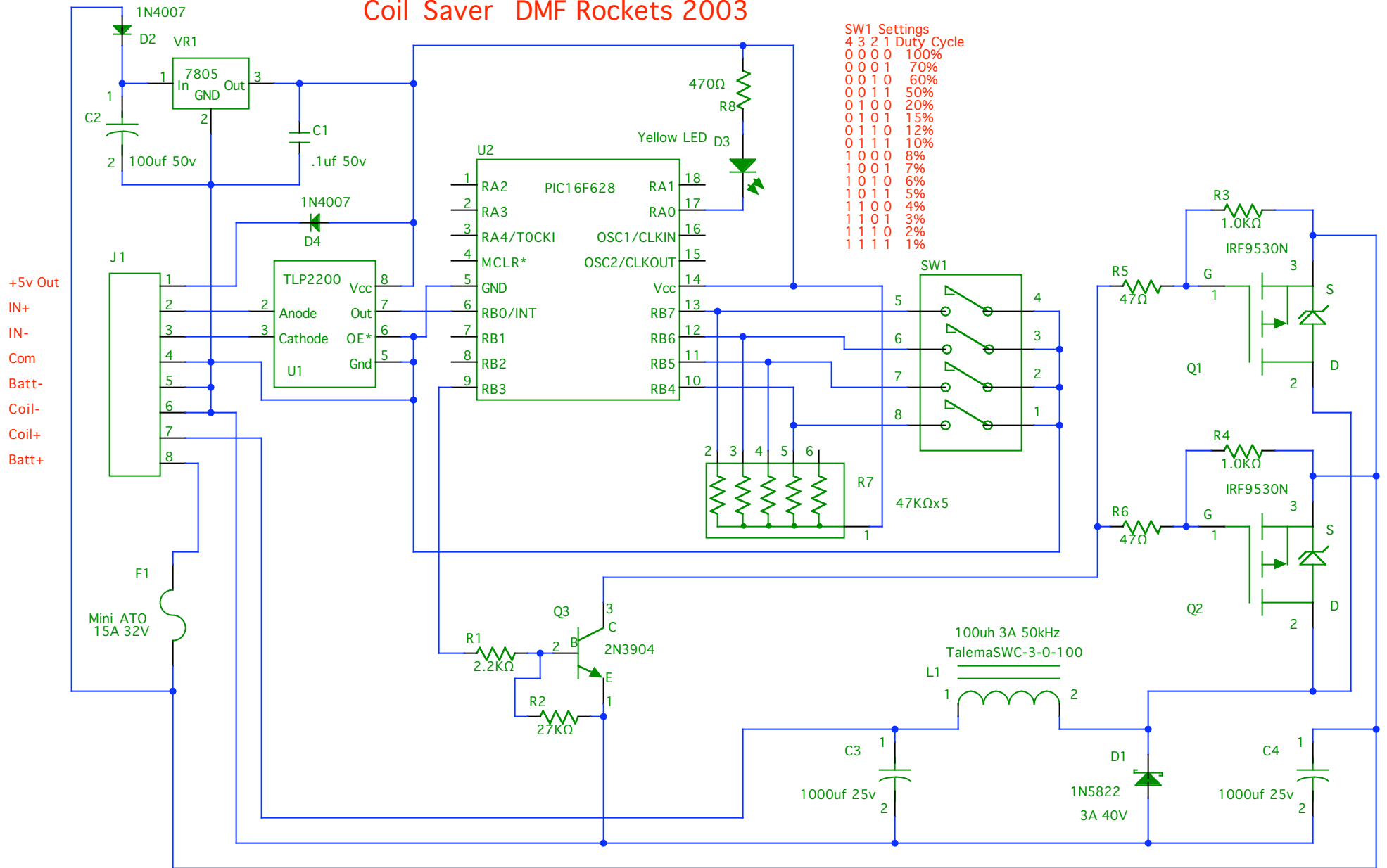


# Coil Saver DMF Rockets 2003



SW1 Settings

4	3	2	1	Duty Cycle
0	0	0	0	100%
0	0	0	1	70%
0	0	1	0	60%
0	0	1	1	50%
0	1	0	0	20%
0	1	0	1	15%
0	1	1	0	12%
0	1	1	1	10%
1	0	0	0	8%
1	0	0	1	7%
1	0	1	0	6%
1	0	1	1	5%
1	1	0	0	4%
1	1	0	1	3%
1	1	1	0	2%
1	1	1	1	1%

+5v Out  
IN+  
IN-  
Com  
Batt-  
Coil-  
Coil+  
Batt+